

SUBMERSIBLE

WELLS & BOREHOLES

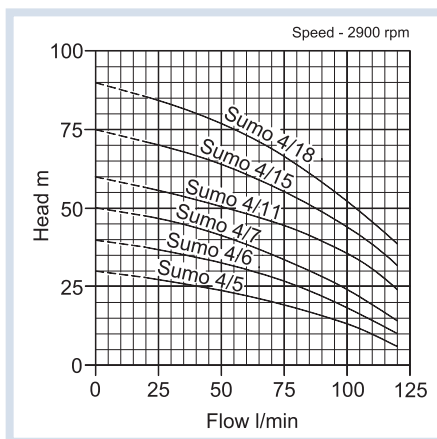
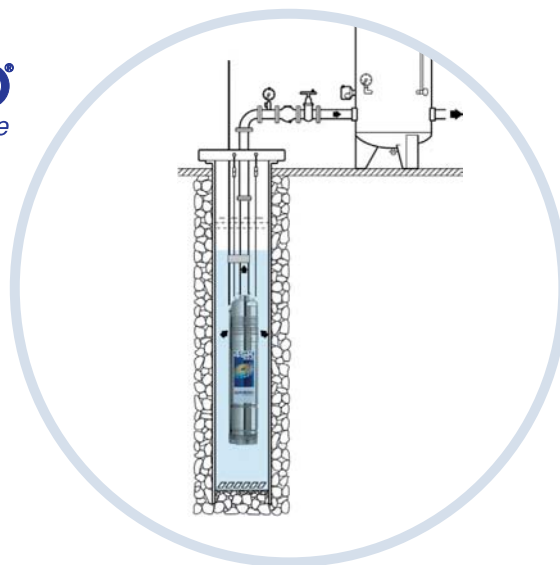
SUMO

- 1 1/4" (32mm) outlet
 - 150mm(6") – 200mm(8") bore size
 - manual
 - automatic
 - high head
 - 230 volts
 - 400 volts
- ✓ Wells and boreholes
 - ✓ Irrigation
 - ✓ Potable water
 - ✓ Processing

The **Sumo** series are high head pumps with good flow rates. They are designed for clean water supply applications in industry and agriculture, such as processing and potable water distribution. They have a 304 stainless steel body, strainer, motor support brackets and Noryl diffusers and impellers. Trouble free operation is enhanced by patented brass body inserts. The 416 stainless steel shaft is fitted with a tough, silicon mechanical seal, intermediate oil chamber and inner lip seal, which offer wear resistance and protection in the event of dry running. All models are supplied with 20 metres of heavy duty, H07RN-F rubber power cable. Single phase versions are supplied with a starter box. Flow can be controlled by including a pressure controller in the delivery line (see page 38).



Sumo



ACCESSORIES

- Pressure hoses page 86
- Elbows page 93
- Quick couplers page 88

PRICE CODE

D

model	Manual or Auto	outlet (BSPF)	kW	volt avail.	flow (l/min)	head (mtrs)	dia x h (mm)	well size (mm)	weight (kgs)	price (£)
Sumo m4/5	M	1 1/4"	0.45	230	120	30	Ø135x384	150	11.3	306.00
Sumo m4/6	M	1 1/4"	0.55	230	120	40	Ø135x458	150	13.4	325.00
Sumo m4/7	M	1 1/4"	0.75	230	120	50	Ø135x482	150	16.7	349.00
Sumo m4/11 - Sumo4/11	M	1 1/4"	1.10	230•400	120	60	Ø153x513	200	22.8	478.00
Sumo m4/15	M	1 1/4"	1.50	230	120	75	Ø153x543	200	23.9	514.00
Sumo 4/15	M	1 1/4"	1.50	400	120	75	Ø153x543	200	23.9	494.00
Sumo m4/18	M	1 1/4"	1.80	230	120	90	Ø153x573	200	24.8	577.00
Sumo4/18	M	1 1/4"	1.80	400	120	90	Ø153x573	200	24.8	548.00
"m" in model column indicates single phase										
Optional extra: adjustable fitted float switch (single phase only)										32.00
Optional extra: pressure controller, for single phase pumps only (see page 38)										